



## NEW IMPROVEMENTS TO TOPSOLID'CAM

Boost your productivity with 100+ improvements within the new release of TopSolid7

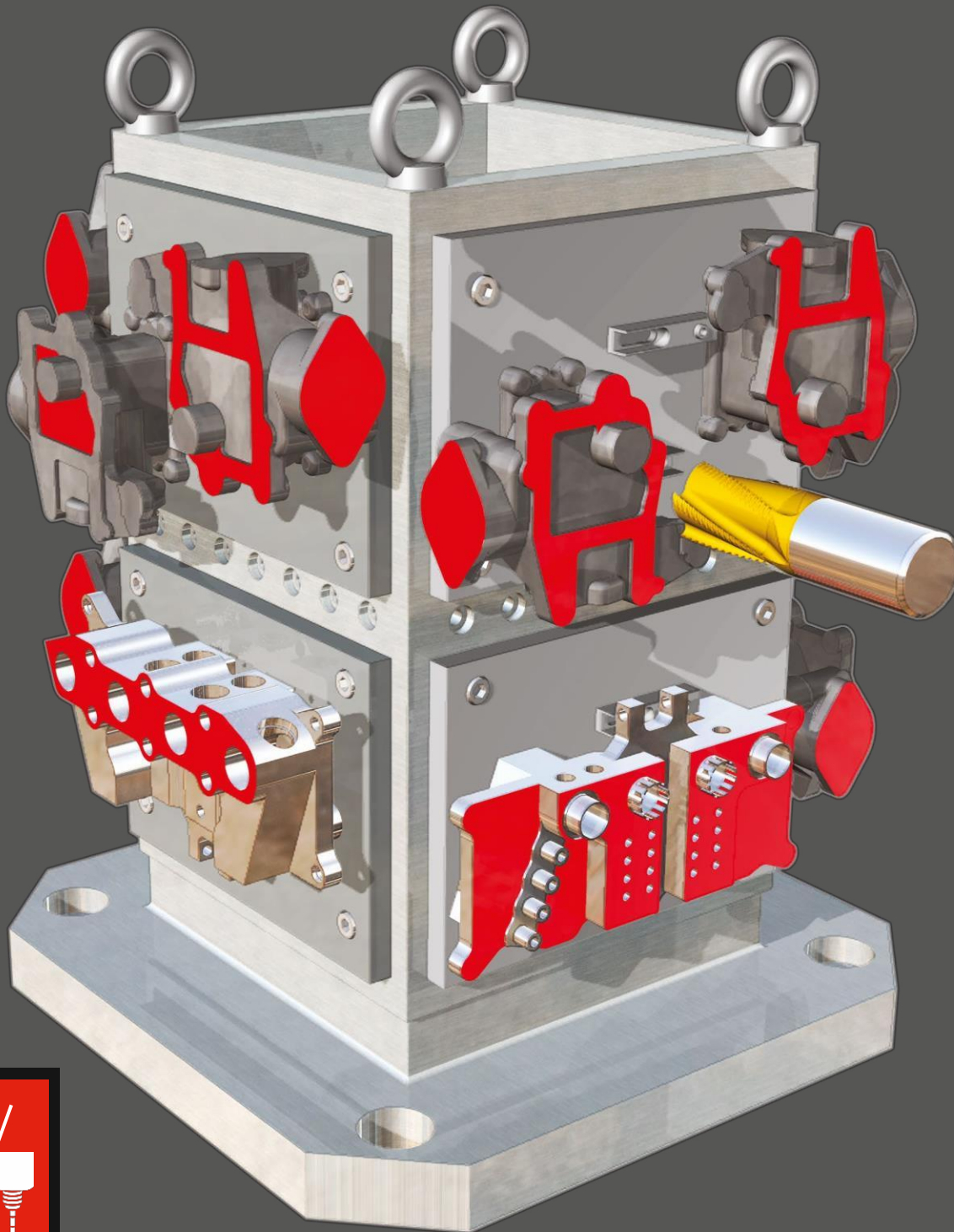
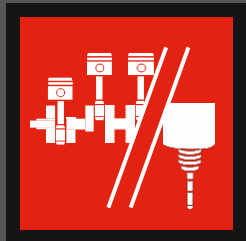
Barrel cutter toolpaths facilitate seamless programming utilizing highly efficient tools

High-Performance Machining now available for turning and milling, reducing cycle times, extending tool life, and reducing machining malfunctions

Machine a group of parts in a single program

Refined algorithms saves time and resources by skipping the modeling phase

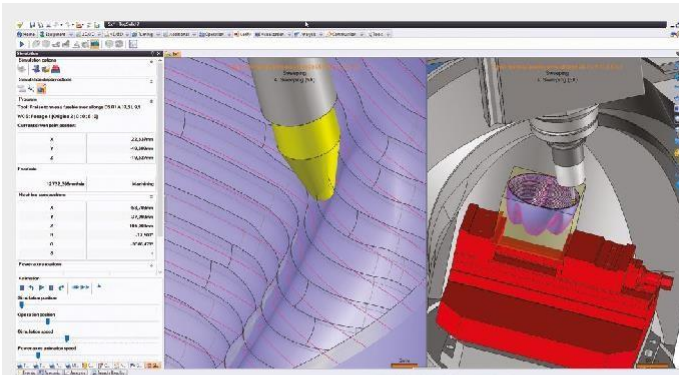
[www.topsolid.com](http://www.topsolid.com)





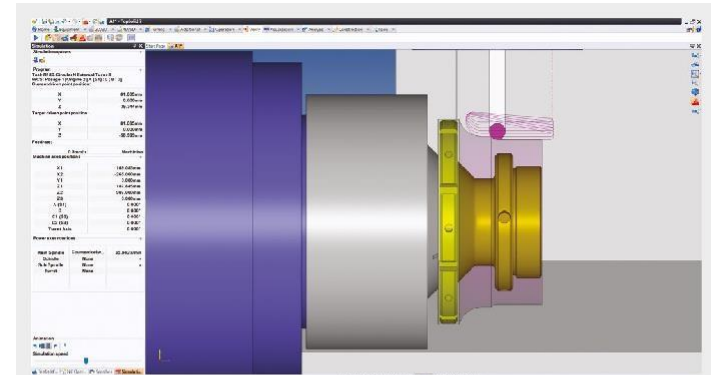
# CHECK OUT WHAT'S NEW

[www.topsolid.com](http://www.topsolid.com)



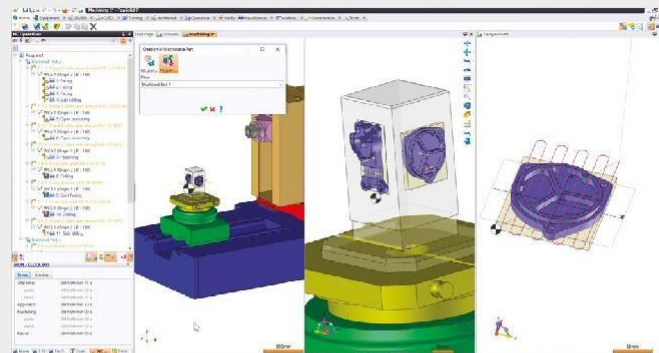
## NEW BARREL CUTTERS PROGRAMMING CAPABILITIES CAPITALIZE ON THESE HIGHLY EFFICIENT TOOLS

A chief concern when milling is the load on your tool when machining corners. Now you can reach the toughest surfaces using TopSolid's five-axis machining to easily program barrel cutters. The superior barrel cutters (Emuge Franken, Fraisa, etc.) use slightly curved shapes (5-axis, 3-axis to 5-axis, 5-axis sweep) that allow for shorter cycle times and improved surface finish, significantly reducing the number of passes in the 5-axis path.



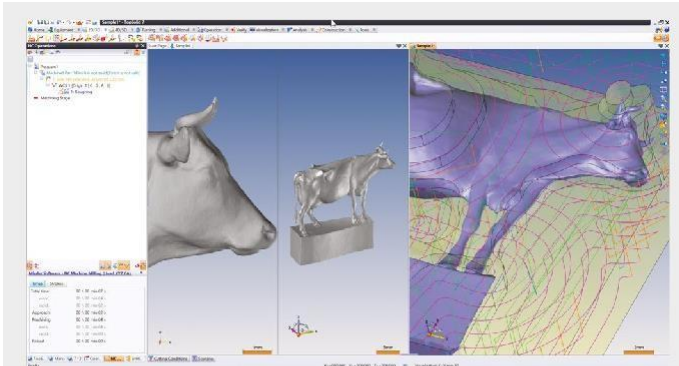
## HIGH-PERFORMANCE TURNING INCREASES PRODUCTIVITY

The accuracy in calculating material removal rate (MRR) is very important for reducing machining cycle times, extending tool life and identifying tool stress points. TopSolid 7's new High-Performance Turning capabilities helps you to visualize and achieve desired results, for much more efficient, high-speed and high-volume CNC machining.



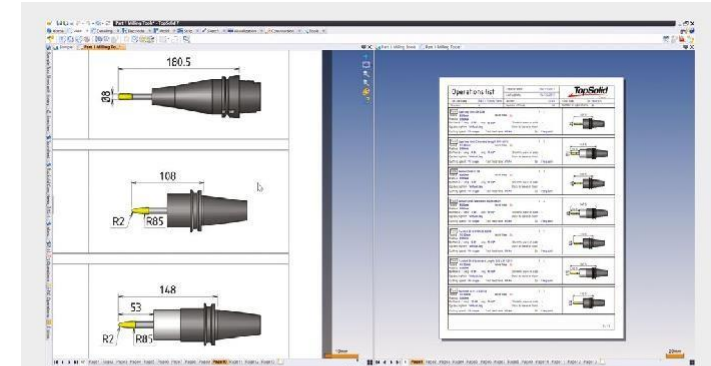
## ASSEMBLE MACHINING PROCEDURES INTO A SINGLE PROGRAM

Take the automation of production even further — with TopSolid/CAM you can machine a group of parts in a single program. Operating procedures developed elsewhere can also be sent to a single machine and post-processed at the same time. You can also segment the design of your highly complex procedures, a functionality that can provide a powerful way to meet industry-specific design manufacturing requirements.



## DIRECT DIGITIZATION TO MACHINING IMPROVES PRODUCTIVITY

TopSolid/CAM's enhanced algorithms allow you to move straight from digitization to machining- skipping the modeling stage. As more objects within the digital chain come from digitalization processes (2D or 3D scans, meshing of CAD geometries), TopSolid's new hybrid-modeling functions of the geometric core allows you to move straight to machining without having to model them again utilizing CAD functions.



## 100+ TOPSOLID 7 IMPROVEMENTS BOOST PRODUCTIVITY & REDUCE COSTS

Save even more time and boost your productivity thanks to more than 100 performance improvements to the new version of TopSolid/Cam. This includes drag and drop technology for tool paths, automatic enhancement of your dimensioning tools and materials properties files, and freezing operations to avoid recalculation, and much more.