

## A complete CAD/CAM solution for progressive die and press tool designers with TopSolid'Progress 2011

- Get external 3D numerical data
- Quickly calculate blanks
- Define the strip layout, cutting, bending and forming operations
- Work with rich libraries of die bases and standard components
- Design springs, inserts, punches and dies with their clearance values and tolerances
- Simulate tool movements
- Generate 2D drafts, BOMs and drill tables
- Directly machine all parts

TopSolid'Progress provides all the required functions to help designers compute sheet metal part blanks, design the strip layout and dies far faster than with a standard CAD software. The software manages all cutting, folding and forming stages of the sheet metal, creation of the die set, addition of standard components together with their machining processes, creation of punches, non-standard dies and draft creation.

### Discover here what's new in TopSolid'Progress 2011

#### Part preparation

- > Automatically isolate lateral faces of a bend
- > Unbend a part section using an arc of a circle

#### Strip creation

- > Management of parts tangential to the borders of the strip

#### Management of complex parts

- > New methodology for strip definition of parts with crushed bends (chamfered parts, fillets, etc.)
- > Unbending for intermediate step
- > Multi-body strip creation and replacement operation of a body on the strip by rapid insertion of previously defined intermediary geometries

#### Die bases

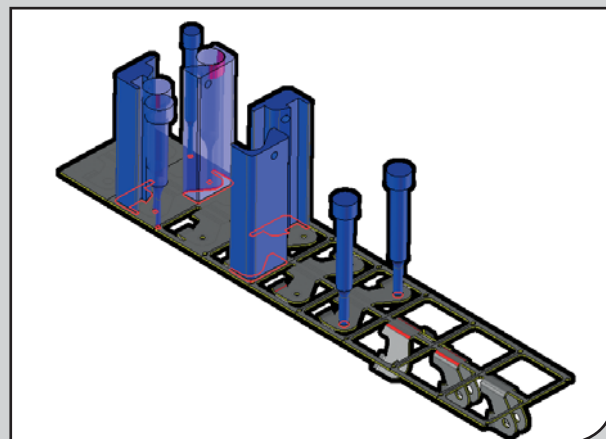
- > Warning against involuntary deletion of die bases

#### Punches and dies

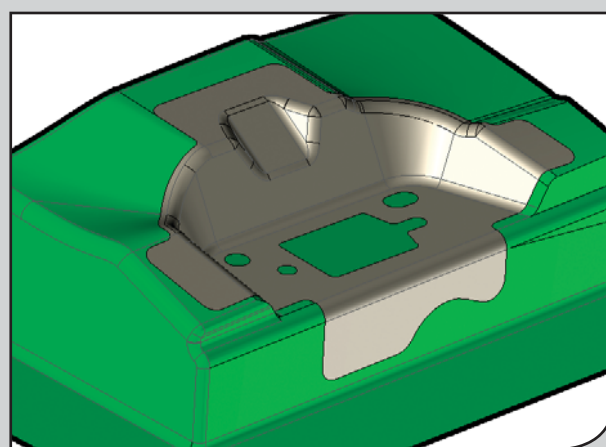
- > Surface tools dedicated to the design of stamping surfaces
- > New automatic process for punch movement: through Z axis
- > Subtraction with clearance
- > Punch head extension by grinding limited by a profile or a plan

#### Miscellaneous

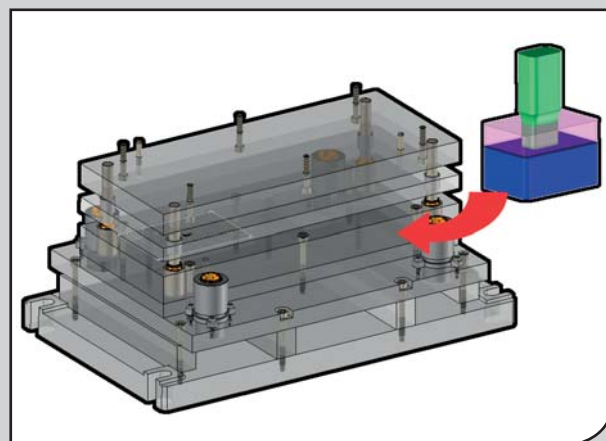
- > Definition of BOM indices via the construction tree in the design document
- > Verification of collisions between punches
- > Verification of stamping scraps evacuation
- > Management of stocks with margins
- > Inclusion of file with sets management and BOM properties



Verification of collisions between punches.



Design of stamping surfaces.



Inclusion with sets management.

[www.topsolid.com](http://www.topsolid.com)

MASTER YOUR  
MANUFACTURING PROCESS