

TopSolid

Design



Revolutionary mechanical CAD with TopSolid 7.5

- Simple to use, powerful and convivial
- Native PDM to manage your data
- Up to 30% time gains compared to traditional CAD systems
- Powerful large assembly management
- Exceptional performance speed thanks to the use of multi-core technology
- Exchange data with all CAD / CAM systems

MASTER YOUR
MANUFACTURING PROCESS

Revolutionary mechanical CAD with TopSolid 7.5

Thanks to its completely new and rewritten architecture, TopSolid 7.5 allows you to go further than with traditional CAD systems. Its new and simplified ergonomics and its exceptional speed will enable you to easily design and generate large assemblies with several thousands of parts. Discover here what's new in TopSolid 7.5:

Toleranced parts

- > Create parts ready to be manufactured
- > Add constraints to the CAD part
- > Use FreeShape to add constraints to modify imported parts
- > Take manufacturing into account right from design

Workflow

- > Manage approval cycle when lifecycle changes
- > User-specific approval dashboard
- > Directly integrated in TopSolid (not via an external application)
- > Reduced errors, improved communication

Complete 2D draft creation

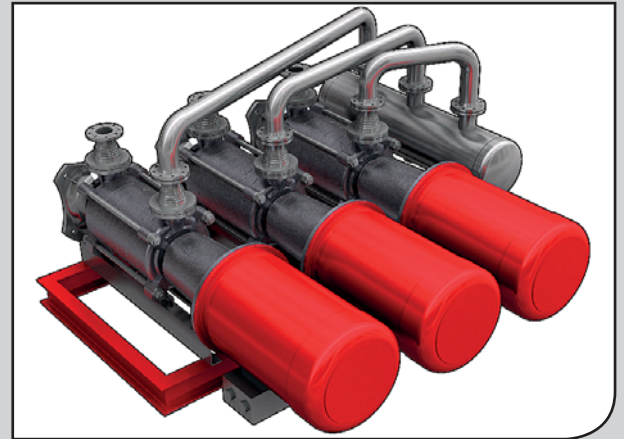
- > Complete 2D draft creation integrated in TopSolid
- > Automatic dimensions
- > New views and dimensions, e.g., Cartesian dimensions
- > Table and split table creation

Piping

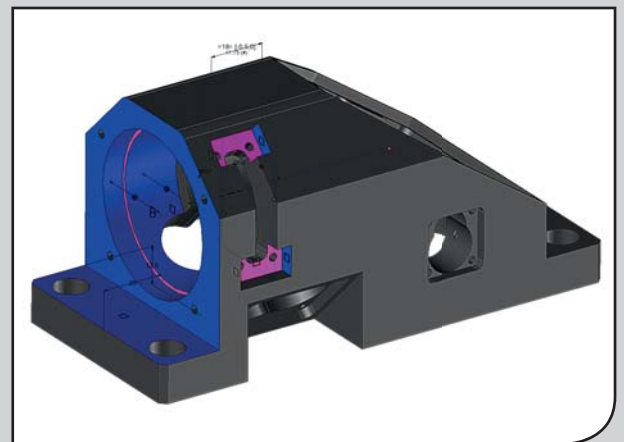
- > 3D Sketch Wizards for pipeline design
- > Intelligent components (tubes, 3D & 5D elbows, reducers, ...)
- > 3D piping views and BOMs for manufacturing (cutting length, angles)

SheetMetal

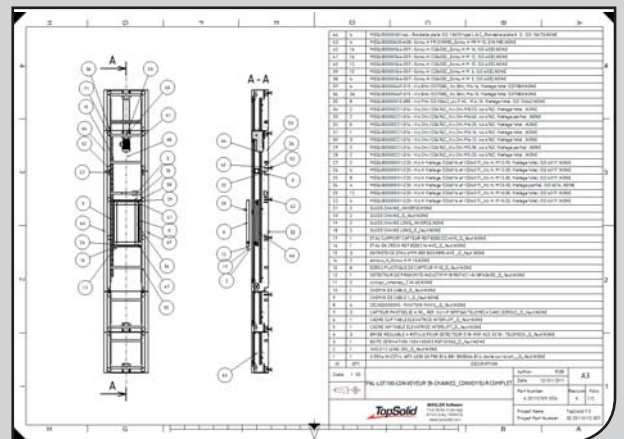
- > Multiple unfolding – automatically create flat layouts from a sheetmetal assembly
- > Process corners on the 3D model before unfolding
- > Relief wizard
- > Important productivity gains for machine designers



TopSolid 7.5 offers a new piping module.



Apply nominal tolerances to your part using FreeShape.



Split tables on the same draft document.

www.topsolid.com

MASTER YOUR
MANUFACTURING PROCESS