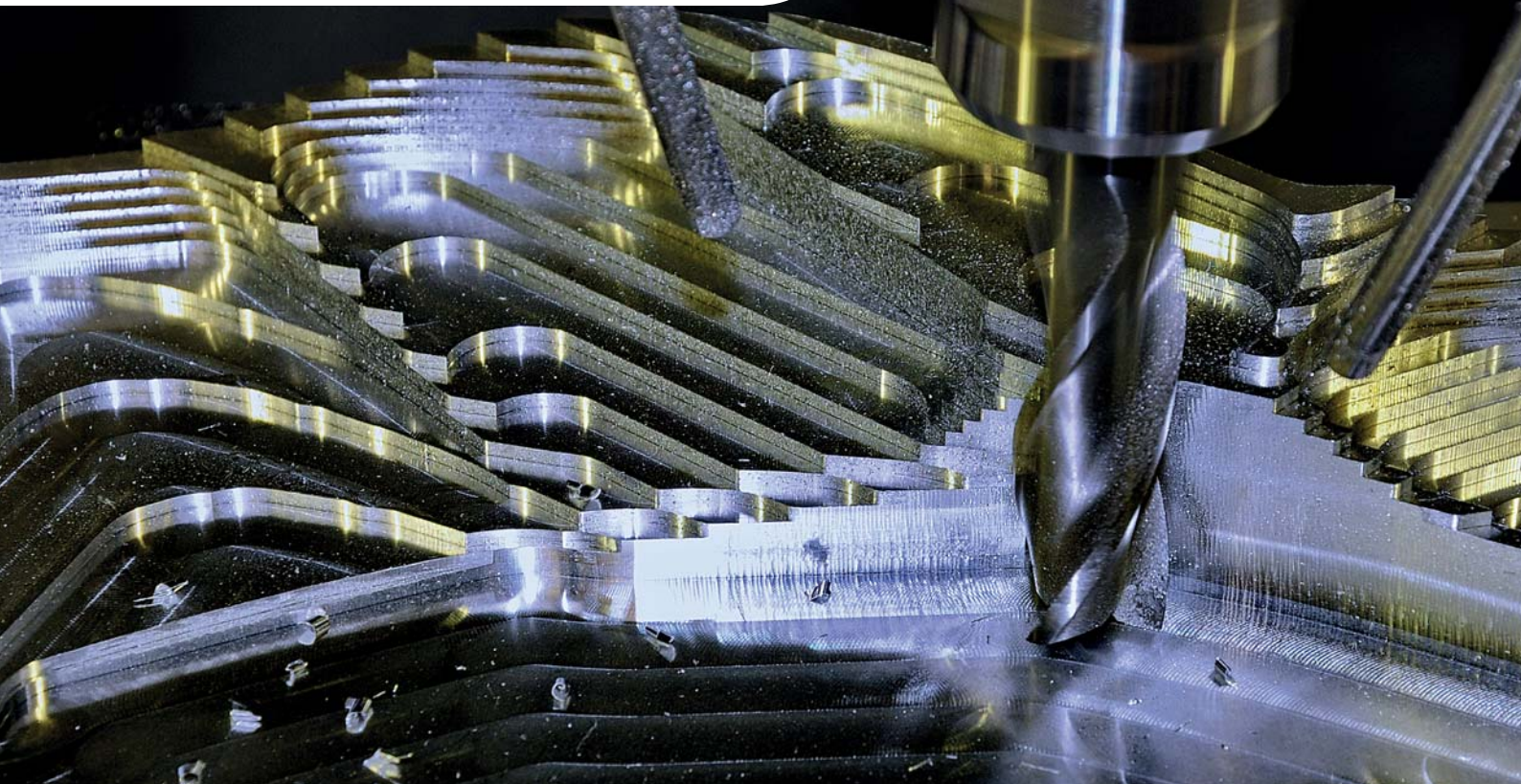


TopSolid

Cam



Amazing calculation times with TopSolid'Cam 2011

- Excellent programming of multifunction or Mill Turn machines
- Preserve company machining know-how
- A specialist in 5 axis simultaneous machining
- An expert in tolerance management of imported parts
- Integrated and complete simulation
- Personalized and high-performance post-processors developed with machine tool manufacturers
- High performance external data recovery

MASTER YOUR
MANUFACTURING PROCESS

A complete CAM solution with TopSolid'Cam 2011

TopSolid'Cam is recognised today as a CAD/CAM software leader thanks to its ability to manage 2 axes milling, 3 axis milling, 4 & 5 axis continued milling, 4 & 5 axis continued turning, synchronization and complex simulation.

Discover here what's new in TopSolid'Cam 2011:

Morphing

- > A helical tool path to machine profiles where the tool remains in constant contact with the material
- > Significant improvement in surface quality obtained and cutting performances
- > Incredible time gains thanks to reduced polishing needed

Machine replacement

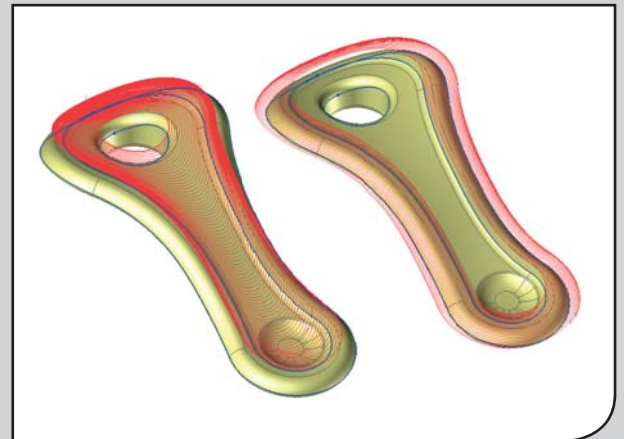
- > A new wizard allows the operator to replace the machine being used by another with no limitations concerning the machine or its kinematics
- > Huge time gains for workshop managers who can, for example, replace a Mill Turn machine with a lathe or a milling machine, an underused 5 axis machine with a 3 axis machine, etc.

Z level helical machining

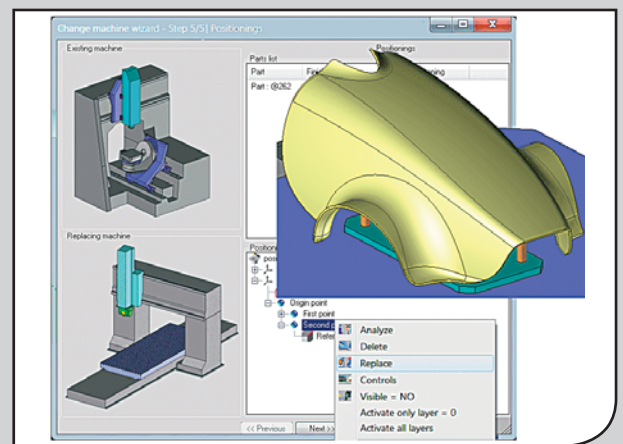
- > Z level helical machining allows constant contact between the tool and the material
- > Avoid "sewing marks" caused by multiple entry and exit moves

Z level finishing cycles

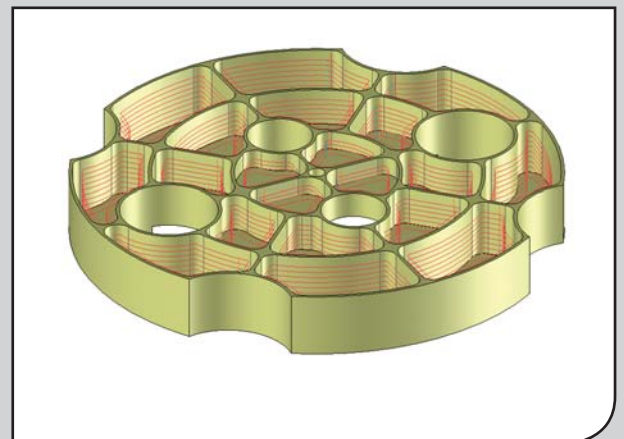
- > Manage the finishing of aerospace part pockets by preventing the weakening of their thin walls
- > Multi-pocketing allows the running of processes on faces selected by the operator
- > Significant reduction in programming times



The new morphing function offers huge time gains.



With TopSolid'Cam 2011 you can, with no limits, replace your current machine with another.



Z level finishing cycles.

www.topsolid.com

MASTER YOUR
MANUFACTURING PROCESS